

SITRANS F flowmeters

SITRANS F M

MAGFLO MAG 1100 Food

Overview



The electromagnetic flow sensor MAGFLO MAG 1100 Food is designed to meet applications in the food and beverage industry.

Benefits

- Sensor sizes: DN 10 ... DN 100 (3/8" ... 4")
- AISI 316 stainless steel enclosure
- Hygienic connection, 3A and EHEDG authorized construction
- Sanitary design for CIP / SIP cleaning
- Easy commissioning, the SENSORPROM unit automatically updates settings
- Hose proof IP67/NEMA 4X/6 enclosure rating
- Designed that patented in-situ verification can be conducted. Using SENSORPROM fingerprints

Application

The main applications of the SITRANS F M MAGFLO electromagnetic flow sensors can be found in the following fields:

- Food industry
- Beverage industry
- Pharmaceutical industry

Design

- Unique mechanical design with a wide range of customer specified sanitary connection
- Compact or remote mounting possible easy "plug & play" field changeable
- Simple on site upgrade to IP68/NEMA 6P

Mode of operation

The flow measuring principle is based on Faradays law of electromagnetic induction where the sensor converts the flow into an electrical voltage proportional to the velocity of the flow.

Integration

The complete flowmeter consists of a flow sensor and an associated transmitter SITRANS F M MAGFLO MAG 5000, 6000 and 6000 I. The flexible communication concept USM II simplifies integration and update to a variety of fieldbus systems such as PROFIBUS DP & PA, DeviceNet, HART, CANopen, MODBUS RTU/RS485.

Technical specifications

Measuring principle	Electromagnetic induction
Excitation frequency	DN 10 ... 65 (1/4" ... 2 1/2"): 12.5 Hz DN 80 ... 100 (3", 4"): 6.25 Hz

Input

Nominal size	DN 10 ... DN 100 (3/8" ... 4")
Process connection	Hygienic adapters available for: <ul style="list-style-type: none"> • Direct welding into pipe • Clamp fitting • Threaded fitting

Rated operating conditions

Ambient conditions

Ambient temperature	
• Remote transmitter	-40 ... +100 °C (-40 ... +212 °F)
• Compact transmitter MAG 5000/6000	-20 ... +50 °C (-4 ... +122 °F)
• Transmitter MAG 6000 I	-20 ... +60 °C (-4 ... +140 °F)

Temperature shock

• MAG 1100 Food	
- Duration > 1 min	<ul style="list-style-type: none"> • DN 10, 15, 25: Max. $\Delta T \leq 15$ °C/min (3/8", 1/2", 1": Max. $\Delta T \leq 15$ K/min) • DN 40, 50, 65: Max. $\Delta T \leq 10$ °C/min (1 1/2", 2", 2 1/2": Max. $\Delta T \leq 10$ K/min) • DN 80, 100: Max. $\Delta T \leq 5$ °C/min (3", 4": Max. $\Delta T \leq 5$ K/min)
- Duration ≤ 1 min, followed by 10 min rest	<ul style="list-style-type: none"> • DN 10, 15, 25: Max. $\Delta T \leq 80$ °C/min (3/8", 1/2", 1": Max. $\Delta T \leq 80$ K/min) • DN 40, 50, 65: Max. $\Delta T \leq 70$ °C/min (1 1/2", 2", 2 1/2": Max. $\Delta T \leq 70$ K/min) • DN 80, 100: Max. $\Delta T \leq 60$ °C/min (3", 4": Max. $\Delta T \leq 60$ K/min)
• MAG 1100 Food PFA	Max. ± 100 °C (210 °F) momentarily

Operating pressure

• MAG 1100 Food	DN 10 ... 65: 40 bar (3/8" ... 2 1/2": 580 psi) DN 80: 37.5 bar (3": 540 psi) DN 100: 30 bar (4": 435 psi) Vacuum: 1×10^{-6} bar (1.5×10^{-5} psi)
• MAG 1100 Food PFA	20 bar (290 psi) Vacuum: 0.02 bar (0.3 psi)

Mechanical load

18 ... 1000 Hz random, 3.17 G rms in all directions to EN 60068-2-36
For compact installation with the MAG 6000 I, transmitter to be supported to avoid tension on sensor part.

Technical specifications (continued)

<u>Degree of protection (enclosure)</u>	IP67, higher on request
• Standard	IP67 to EN 60529 (NEMA 4X), 1 mH ₂ O for 30 min
• Option	IP68 to EN 60529 (NEMA 6), 10 mH ₂ O cont.
<u>Medium conditions</u>	
Temperature of medium	
• MAG 1100 Food	-20 ... +150 °C (-4 ... +300 °F) Suitable for steam sterilization
• MAG 1100 Food PFA	-30 ... +130 °C (-20 ... +270 °F) Suitable for steam sterilization at 150 °C (300 °F)
EMC	89/336 EEC
Design	
Weight	See Dimensional drawings
Material	
• Enclosure	
- MAG 1100 Food ceramic	Stainless steel AISI 316L (1.4404)
- MAG 1100 Food PFA	Stainless steel AISI 316L (1.4404)
• Terminal box (remote version only)	
- Standard	Fibre glass-reinforced polyamide
- Option	<ul style="list-style-type: none"> • MAG 1100 Food: Stainless steel AISI 316 (1.4436) • MAG 1100 Food PFA: Stainless steel AISI 316 (1.4436)
Liner	
• MAG 1100 Food ceramic	Aluminium oxide Al ₂ O ₃ (ceramics)
• MAG 1100 Food PFA	Reinforced PFA (teflon)
Electrodes	
• MAG 1100 Food ceramic	Platinum with gold / Titanium brazing alloy
• MAG 1100 Food PFA	Hastelloy C276
Cable entries	4 Pg 13.5
Certificates and approvals	
• MAG 1100 Food ceramic	3A, EHEDG
• MAG 1100 Food PFA	3A (EHEDG in preparation)
Conforms to	PED – 97/23 EC

Accessories

Adapter

Pipe connection/operating pressure

Adapter for welding into dairy pipe	Tri-Clover ISP 2037, DIN 11850, SMS 3008, BS 4825-1
• DN 10, 15, 25, 40, 50, 65 and 80 (3/8", 1/2", 1", 1 1/2", 2", 2 1/2" and 3")	PN 40 (600 psi)
• DN 100 (4")	PN 25 (350 psi)
Clamp adapter	Tri-Clamp ISP 2852, DIN 32676, SMS 3016, BS 4825-3
• DN 10, 15, 25, 40 and 50 (3/8", 1/2", 1", 1 1/2", and 2")	PN 16 (200 psi)
• DN 65, 80 and 100 (2 1/2", 3" and 4")	PN 10 (150 psi)
Thread adapter	
• DIN 1181	
- DN 10, 15, 25, and 40 (3/8", 1/2", 1", and 1 1/2")	PN 40 (600 psi)
- DN 50, 65, 80 and 100 (2", 2 1/2", 3" and 4")	PN 25 (350 psi)
• ISO 2853, SS 3351, BS 4825-4	
- DN 10, 15, 25, 40, 50, 65 and 80 (3/8", 1/2", 1", 1 1/2", 2", 2 1/2" and 3")	PN 16 (200 psi)
• SMS 1145	
- DN 25, 40, 50, 65 and 80 (1", 1 1/2", 2", 2 1/2" and 3")	PN 6 (80 psi)

Design

Material

• Adapter	Stainless steel AISI 316
• Gasket	
- Standard	EPDM (-20 ... +150 °C (-4 ... +302 °F))
- Option	NBR (-20 ... +100 °C (-4 ... +212 °F))
• Clamp	Stainless steel AISI 304, ISO 2852

Note:

When combined sensor and adapter, the working pressure is the lower rated of the pair.

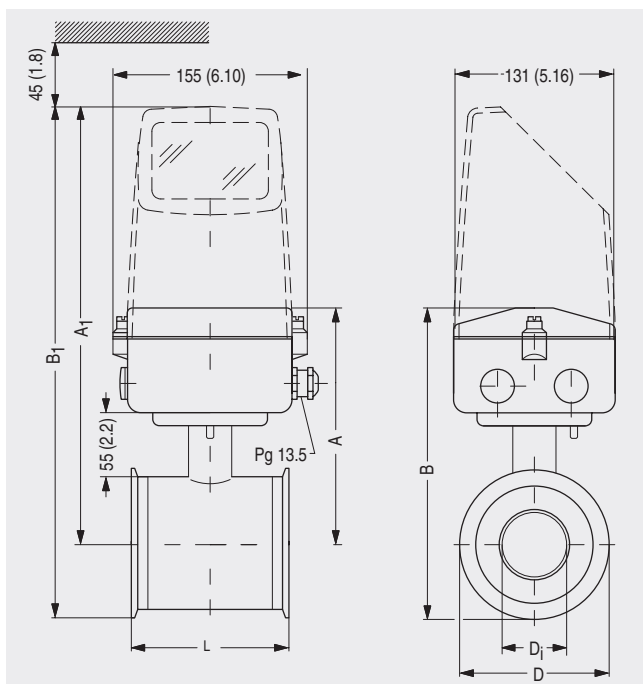
SITRANS F flowmeters

SITRANS F M

MAGFLO MAG 1100 Food

Dimensional drawings

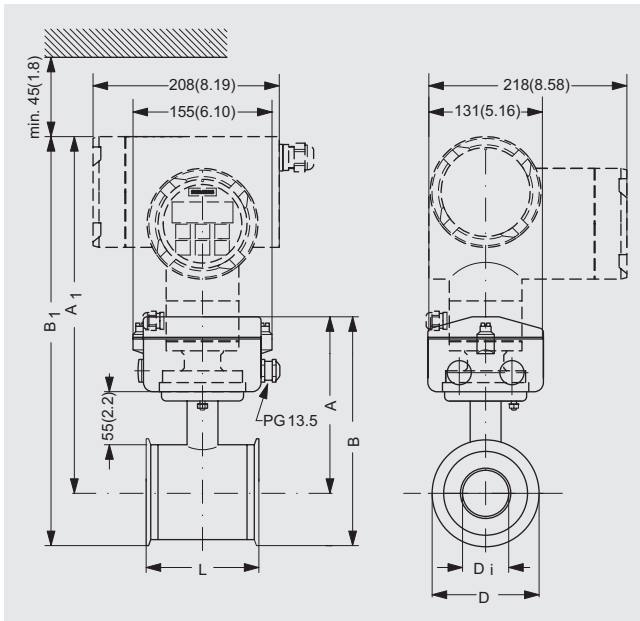
Sensor MAG 1100 Food compact/remote



Size	L	A	A ₁	B	B ₁	D	D _i (Al ₂ O ₃)	D _i PFA	Weight*)
DN	[mm]	[mm]	[mm]	[mm]	[mm]	[mm]	[mm]	[mm]	[kg]
10	64	161	305	193.0	346.0	64.0	10	10	2.2
15	64	161	314	193.0	346.0	64.0	15	16	2.2
25	79	169	322	207.8	360.8	77.5	25	26	2.7
40	94	181	334	226.5	379.5	91.0	40	38	3.4
50	104	189	342	248.5	401.5	119.0	50	50	4.2
65	131	199	352	264.0	417.0	130.0	65	66	5.5
80	156	205	358	282.5	435.5	155.0	80	81	7.0
100	186	218	371	309.5	462.5	183.0	100	100	10.0

Size	L	A	A ₁	B	B ₁	D	D _i (Al ₂ O ₃)	D _i PFA	Weight*)
[inch]	[inch]	[inch]	[inch]	[inch]	[inch]	[inch]	[inch]	[inch]	[lb]
3/8	2.52	6.34	11.96	7.60	13.63	2.52	0.39	0.39	4.8
1/2	2.52	6.34	11.96	7.60	13.63	2.52	0.59	0.63	4.8
1	3.11	6.66	12.29	8.18	14.21	3.05	0.98	1.02	4.9
1 1/2	3.70	7.13	12.83	8.92	14.94	3.58	1.57	1.50	7.5
2	4.09	7.44	12.97	9.79	15.81	4.68	1.97	1.97	9.2
2 1/2	5.16	7.84	13.48	10.40	16.42	5.12	2.56	2.60	12.0
3	6.14	8.07	13.50	11.13	17.15	6.10	3.15	3.19	15.0
4	7.32	8.59	13.97	12.19	18.21	7.20	3.94	3.94	22.0

*) With transmitter MAG 5000 or MAG 6000 installed, weight is increased by approximately 0.8 kg (1.8 lb)



Size	L	A	A ₁	B	B ₁	D	D _i (Al ₂ O ₃)	D _i PFA	Weight*)
DN	[mm]	[mm]	[mm]	[mm]	[mm]	[mm]	[mm]	[mm]	[kg]
10	64	161	303.7	193.0	335.7	64.0	10	10	2.2
15	64	161	303.7	193.0	335.7	64.0	15	16	2.2
25	79	169	312.2	207.8	350.9	77.5	25	26	2.7
40	94	181	325.9	226.5	371.4	91.0	40	38	3.4
50	104	189	329.5	248.5	389	119.0	50	50	4.2
65	131	199	342.4	264.0	407.4	130.0	65	66	5.5
80	156	205	342.9	282.5	420.4	155.0	80	81	7.0
100	186	218	354.9	309.5	446.4	183.0	100	100	10.0

Size	L	A	A ₁	B	B ₁	D	D _i (Al ₂ O ₃)	D _i PFA	Weight*)
[inch]	[inch]	[inch]	[inch]	[inch]	[inch]	[inch]	[inch]	[inch]	[lb]
3/8	2.52	6.34	11.96	7.60	13.22	2.52	0.39	0.39	4.8
1/2	2.52	6.34	11.96	7.60	13.22	2.52	0.59	0.63	4.8
1	3.11	6.66	12.29	8.18	13.81	3.05	0.98	1.02	4.9
1 1/2	3.70	7.13	12.83	8.92	14.62	3.58	1.57	1.50	7.5
2	4.09	7.44	12.97	9.79	15.31	4.68	1.97	1.97	9.2
2 1/2	5.16	7.84	13.48	10.40	16.04	5.12	2.56	2.60	12.0
3	6.14	8.07	13.50	11.13	16.55	6.10	3.15	3.19	15.0
4	7.32	8.59	13.97	12.19	17.57	7.20	3.94	3.94	22.0

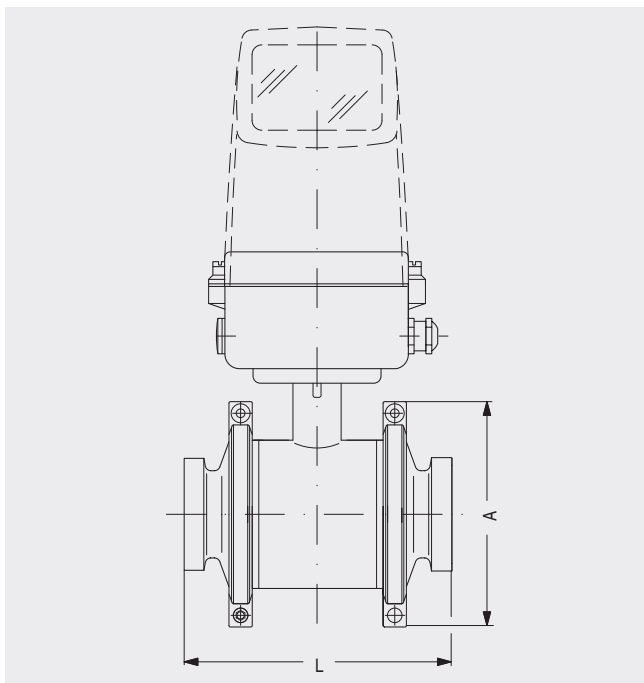
*) With transmitter MAG 6000 I, weight is increased by approximately 5.5 kg (12.1 lb).

SITRANS F flowmeters

SITRANS F M

MAGFLO MAG 1100 Food

Sensor MAG 1100 Food compact/separate – build-in length



4

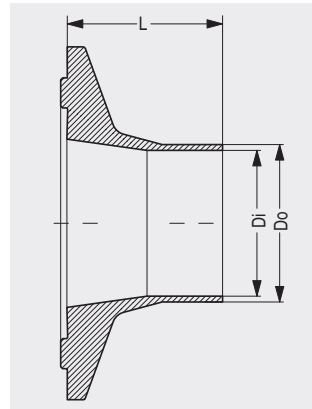
Size		A		L ¹⁾	
DN	Inch	[mm]	[inch]	[mm]	[inch]
10	3/8	99	3.90	146	5.75
15	1/2	99	3.90	146	5.75
25	1	113	4.45	161	6.34
40	1 1/2	126	4.96	176	6.93
50	2	154	6.06	186	7.32
65	2 1/2	165	6.50	223	8.78
80	3	200	7.87	258	10.16
100	4	225	8.86	288	11.34

1) The total build-in length "L" is independent of the adapter type selected.

Accessories

Weld-in type adapter

[inch]	Adapter size	Sensor size	L	Weld-in type	
				Tri-Clover [®]	
				Di	Do
				[inch]	[inch]
3/8	3/8	3/8	1 1/2	0.37	1/2
1/2	1/2	1/2	1 1/2	0.62	3/4
1	1	1	1 1/2	0.87	1
1 1/2	1 1/2	1 1/2	1 1/2	1.37	1 1/2
2	2	2	1 1/2	1.87	2
2 1/2	2 1/2	2 1/2	1 3/4	3/4	2 1/2
3	3	3	2	2.87	3
4	4	4	2	3.83	4

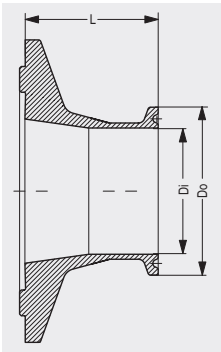


Adapter DN	Sensor DN	L	Weld-in type									
			DIN 11850		DS/ISO 2037		SMS 3008		BBS 4825-1		Tri-Clover®	
[mm]	[mm]	[mm]	Di [mm]	Do [mm]	Di [mm]	Do [mm]	Di [mm]	Do [mm]	Di [mm]	Do [mm]	Di [mm]	Do [mm]
10	10	40	10.0	13.0	10.0	13.0	10.0	13.0	10.0	13.0	9.4	12.7
15	15	40	16.0	19.0	16.0	19.0	16.0	19.0	16.0	19.0	-	-
15.9	15	40	-	-	-	-	-	-	-	-	15.75	19.05
20	15	40	20.0	23.0	20.0	23.0	20.0	23.0	20.0	23.0	-	-
25	25	40	26.0	29.0	22.6	25.6	22.6	25.6	22.6	25.6	22.1	25.4
28	25	40	-	-	25.6	28.6	-	-	-	-	-	-
32	25	40	-	-	-	-	29.6	32.0	-	-	-	-
32	25	40	32.0	35.0	-	-	-	-	-	-	-	-
33.7	25	40	-	-	31.3	34.3	31.3	34.3	-	-	-	-
38	40	40	-	-	35.6	38.6	35.6	38.6	35.6	38.6	34.8	38.1
40	40	40	38.0	40.0	37.6	40.6	-	-	-	-	-	-
50	50	40	-	-	48.6	51.6	48.6	51.6	48.6	51.6	47.5	50.8
50	50	40	50.0	53.0	-	-	-	-	-	-	-	-
63.5	65	45	-	-	60.3	64.1	60.3	64.1	60.3	64.1	60.2	63.5
65	65	45	66.0	70.0	-	-	-	-	-	-	-	-
70	65	45	-	-	66.8	70.6	-	-	-	-	-	-
76	65	45	-	-	-	-	72.0	76.0	-	-	-	-
76.1	80	50	-	-	72.9	76.7	72.9	76.7	72.9	76.7	72.9	76.2
80	80	50	81.0	85.0	-	-	-	-	-	-	-	-
88.9	80	50	-	-	84.9	89.8	84.9	89.8	-	-	-	-
100	50	50	100	104	-	-	-	-	-	-	-	-
101.6	50	50	-	-	97.6	102.5	97.6	102.5	97.6	102.6	97.38	101.6
114.3	50	50	-	-	110.3	115.6	110.3	115.6	110.3	115.6	-	-

Tri-Clover® is a registered trademark for Ladish Co.

Clamp type adapter

Adapter size	Sensor size	L	Clamp type	
			Di [inch]	Do [inch]
			Tri-Clamp®	
[inch]	[inch]	[inch]		
3/8	3/8	1½	0.37	0.98
½	½	1½	0.62	0.98
1	1	1½	0.87	1.99
1½	1½	1½	1.37	1.99
2	2	1½	1.87	2.52
2½	2½	1¾	2.37	3.05
3	3	2	2.87	3.58
4	4	2	3.83	4.70



Adapter DN	Sensor DN	L	Clamp type									
			DIN 32676		ISO 2852		SMS 3016		BBS 4825-3		Tri-Clamp®	
[mm]	[mm]	[mm]	Di [mm]	Do [mm]	Di [mm]	Do [mm]	Di [mm]	Do [mm]	Di [mm]	Do [mm]	Di [mm]	Do [mm]
10	10	40	10.0	34.0	10.0	34.0	10.0	34.0	-	-	9.4	25.0
15	15	40	16.0	34.0	16.0	34.0	16.0	34.0	-	-	15.75	25.0
20	15	40	20.0	34.0	20.0	34.0	-	-	-	-	-	-
25	25	40	-	-	22.6	50.5	22.6	50.5	22.6	50.5	22.1	50.5
25	25	40	26.0	50.5	26.0	50.5	-	-	-	-	-	-
33.7	25	40	31.3	50.5	31.3	50.5	31.3	50.5	-	-	-	-
38	40	40	-	-	35.6	50.5	35.6	50.5	35.6	50.5	34.8	50.5
40	40	40	38.0	50.5	38.0	50.5	-	-	-	-	-	-
50	50	40	50.0	64.0	-	-	-	-	-	-	-	-
51	50	40	48.6	64.0	48.6	64.0	48.6	64.0	47.5	64.0	-	-
63.5	65	45	-	-	60.3	77.5	60.3	77.5	60.3	77.5	60.2	77.5
65	65	45	66.0	91.0	-	-	-	-	-	-	-	-
76.1	80	50	-	-	72.9	91.0	72.9	91.0	72.9	91.0	72.9	91.0
80	80	50	81.0	106.0	-	-	-	-	-	-	-	-
100	100	50	100.0	119.9	-	-	-	-	-	-	-	-
101.6	100	50	-	-	97.6	119.0	97.6	119.0	97.6	119.0	97.38	119.0

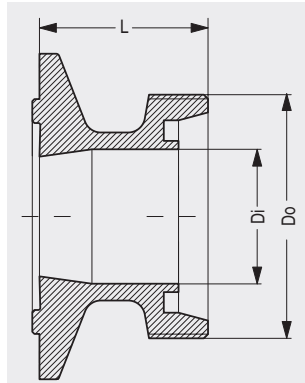
Tri-Clamp® is a registered trademark for Ladish Co.

SITRANS F flowmeters

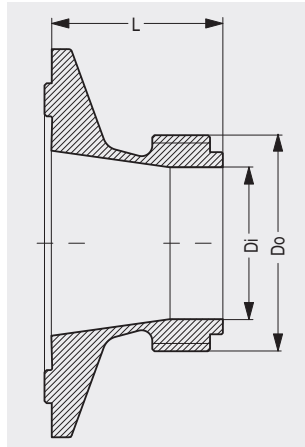
SITRANS F M

MAGFLO MAG 1100 Food

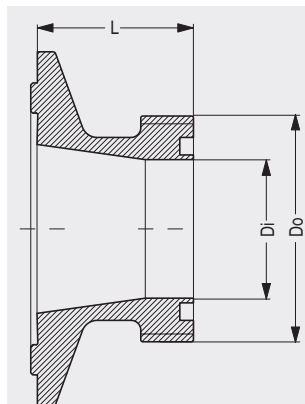
Threaded type adapter



Adapter DN	Sensor DN	L	Threaded type	
			DIN 11850	
[mm]	[mm]	[mm]	Di [mm]	Do [mm]
10	10	40	10.0	28.0
15	15	40	16.0	34.0
20	15	40	20.0	44.0
25	25	40	26.0	52.0
32	25	40	32.0	58.0
40	40	40	38.0	65.0
50	50	40	50.0	78.0
65	65	45	66.0	95.0
80	80	50	81.0	110.0
100	100	50	100.0	130.0



Adapter DN	Sensor DN	L	Threaded type					
			IS 2852		SS 3351		BS 4825-4 (IDF)	
[mm]	[mm]	[mm]	Di [mm]	Do [mm]	Di [mm]	Do [mm]	Di [mm]	Do [mm]
25	25	40	22.6	37.0	22.6	37.0	22.6	37.0
38	40	40	35.6	51.0	35.6	51.0	35.6	51.0
51	50	40	48.6	64.0	48.6	64.0	48.6	64.0
63.5	65	45	60.3	78.0	60.3	78.0	60.3	78.0
76.1	80	50	72.9	91.0	72.9	91.0	72.9	91.0
101.6	100	50	-	-	-	-	97.6	126.0
101.6	100	50	97.6	118.0	97.6	118.0	-	-



Adapter DN	Sensor DN	L	Threaded type	
			SMS 1145	
[mm]	[mm]	[mm]	Di [mm]	Do [mm]
25	25	40	22.6	40.0
32	25	40	29.6	48.0
38	40	40	35.6	60.0
51	50	40	48.6	70.0
63.5	65	45	60.3	85.0
76	65	45	72.0	98.0

SITRANS F flowmeters

SITRANS F M

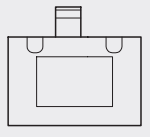
MAGFLO MAG 1100 Food

Selection and Ordering data	Order No.
Flowsensor SITRANS F M MAGFLO MAG 1100 Food	7 ME 6 1 4 0 -
Pg 13.5, compact version, M25	■ ■ A ■ 0 - ■ ■ A 0
Diameter	
DN 10 (3/8")	▶ 1 R
DN 15 (1/2")	▶ 1 V
DN 25 (1")	▶ 2 D
DN 40 (1 1/2")	▶ 2 R
DN 50 (2")	▶ 2 Y
DN 65 (2 1/2")	▶ 3 F
DN 80 (3")	▶ 3 M
DN 100 (4")	▶ 3 T
Liner material	
PFA	▶ 1
Ceramic	▶ 2
Electrode material	
Hastelloy C276 (only with PFA liner)	▶ 1
Platinum (only with ceramic liner)	▶ 2
Transmitter	
No transmitter	▶ A
MAG 6000 industry, 18 V ... 220 V, standard	▶ C

▶ Available ex stock.

Note: Connection fittings must be ordered separately

Additional information	Order code
Please add "-Z" to Order No. and specify Order code(s) and plain text.	
Customer specific converter setup	Y20
Tag name made, stainless steel fixed with SS wire (add plain text)	Y17
Tag name plate, plastic (self adhesive)	Y18
Factory certificate according to EN 10204-2.1	C15
Factory certificate according to EN 10204-2.2	C14
Power cable wired, specify cable order no.	Y40
Junction box IP68 NEMA 4X/6P with wired cable	Y41
Customer specific test	Y90
Special version with order no/date (add desired text)	Y99

Description	Order No.	Symbol
HART (for MAG 6000 I/Ex)	FDK:085U0321	
MODBUS RTU/RS485	FDK:085U0234	
PROFIBUS PA	FDK:085U0232	
PROFIBUS DP	FDK:085U0230	
CANopen	FDK:085U0228	
DeviceNet	FDK:085U0229	

Spare parts

	Order No.	Symbol
Display	FDK:085U3122	

Complete spare part PCB unit

	Order No.	Symbol
Not Ex	FDK: 085U3123	
Ex d version 18 ... 30 V DC	FDK: 085U3124	
Ex d version 115 ... 230 V AC	FDK: 085U3125	

4

SITRANS F flowmeters

SITRANS F M

MAGFLO MAG 1100 Food

Accessories

Order No.

Weld in connection fittings for MAGFLO MAG 1100 Food

Each of the following accessory order nos. comprises:

- 2 off fittings
- 2 off clamps (to join flow sensor and fitting)
- 2 off EPDM gaskets

DIN 11850

Adapter		Sensor		
DN (mm)	D _o (mm)	D _i (mm)	DN (mm)	
10	13	10	10	▶ FDK:083G2116
15	19	16	15	▶ FDK:083G2117
20	23	20	15	▶ FDK:083G2118
25	29	26	25	▶ FDK:083G2119
32	35	32	25	▶ FDK:083G2120
40	41	38	40	▶ FDK:083G2121
50	53	50	50	▶ FDK:083G2122
65	70	66	65	▶ FDK:083G2123
80	85	81	80	▶ FDK:083G2124
100	104	100	100	▶ FDK:083G2125

DS/ISO 2037

Adapter		Sensor		
DN (mm)	D _o (mm)	D _i (mm)	DN (mm)	
10	13	10	10	▶ FDK:083G2116
15	19	16	15	▶ FDK:083G2117
20	23	20	15	▶ FDK:083G2118
25	25.6	22.6	25	▶ FDK:083G2109
28	28.6	25.6	25	▶ FDK:083G2100
33.7	34.3	31.3	25	▶ FDK:083G2110
38	38.6	35.6	40	▶ FDK:083G2111
40	40.6	37.6	40	▶ FDK:083G2101
51	51.6	48.6	50	▶ FDK:083G2112
63.5	64.1	60.3	65	▶ FDK:083G2113
70	70.6	66.8	65	▶ FDK:083G2103
76.1	76.7	72.9	80	▶ FDK:083G2114
88.9	88.9	84.9	80	▶ FDK:083G2104
101.6	102.5	97.6	100	▶ FDK:083G2115
114.3	115.6	110.3	100	▶ FDK:083G2105

SMS 3008

Adapter		Sensor		
DN (mm)	D _o (mm)	D _i (mm)	DN (mm)	
10	13	10	10	▶ FDK:083G2116
15	19	16	15	▶ FDK:083G2117
20	23	20	15	▶ FDK:083G2118
25	25.6	22.6	25	▶ FDK:083G2109
32	32	29.6	25	▶ FDK:083G2102
33.7	34.3	31.3	25	▶ FDK:083G2110
38	38.6	35.6	40	▶ FDK:083G2111
51	51.6	48.6	50	▶ FDK:083G2112
63.5	64.1	60.3	65	▶ FDK:083G2113
76	76	72	65	▶ FDK:083G2106
76.1	76.7	72.9	80	▶ FDK:083G2114
88.9	88.9	84.9	80	▶ FDK:083G2104
101.6	102.5	97.6	100	▶ FDK:083G2115
114.3	115.6	110.3	100	▶ FDK:083G2105

Accessories

Order No.

Weld in connection fittings for MAGFLO MAG 1100 Food

Each of the following accessory order nos. comprises:

- 2 off fittings
- 2 off clamps (to join flow sensor and fitting)
- 2 off EPDM gaskets

BS 4825-1

Adapter		Sensor		
DN (mm)	D _o (mm)	D _i (mm)	DN (mm)	
10	13	10	10	▶ FDK:083G2116
15	19	16	15	▶ FDK:083G2117
20	23	20	15	▶ FDK:083G2118
25	25.6	22.6	25	▶ FDK:083G2109
38	38.6	35.6	40	▶ FDK:083G2111
51	51.6	48.6	50	▶ FDK:083G2112
63.5	64.1	60.3	65	▶ FDK:083G2113
76.1	76.7	72.9	80	▶ FDK:083G2114
101.6	102.5	97.6	100	▶ FDK:083G2115
114.3	115.6	110.3	100	▶ FDK:083G2105

Tri-Clover®

Adapter		Sensor		
DN (mm)	D _o (mm)	D _i (mm)	DN (mm)	
10	12.7	9.4	10	▶ FDK:083G2276
15.9	19.05	15.75	15	▶ FDK:083G2277
25	25.4	22.1	25	▶ FDK:083G2279
38	38.1	34.8	40	▶ FDK:083G2281
51	50.8	47.5	50	▶ FDK:083G2282
63.5	63.5	60.2	65	▶ FDK:083G2283
76.1	76.2	72.9	80	▶ FDK:083G2284
102	101.6	97.38	100	▶ FDK:083G2285

Tri-Clover® is a registered trademark of Ladish Co.

- ▶ Available ex stock.
- D_o: outer diameter
- D_i: inner diameter

Accessories				Order No.
Clamp-type connection fittings for MAGFLO MAG 1100 Food				
Sanitary pipe fittings for Clamp types				
Each of the following accessory order nos. comprises:				
2 off fittings				
2 off clamps (to join flow sensor and fitting)				
2 off EPDM gaskets				
DIN 32676				
Adapter		Sensor		
DN (mm)	D _o (mm)	D _i (mm)	DN (mm)	
10	34	10	10	FDK:083G2186
15	34	16	15	FDK:083G2187
20	34	20	15	FDK:083G2188
25	50.5	26	25	FDK:083G2179
33.7	50.5	31.3	25	FDK:083G2190
40	50.5	38	40	FDK:083G2181
50	64	50	50	FDK:083G2182
65	91	66	65	FDK:083G2183
80	106	81	80	FDK:083G2184
100	119	100	100	FDK:083G2185
ISO 2852				
Adapter		Sensor		
DN (mm)	D _o (mm)	D _i (mm)	DN (mm)	
10	34	10	10	FDK:083G2186
15	34	16	15	FDK:083G2187
20	34	20	15	FDK:083G2188
25	50.5	22.6	25	FDK:083G2189
25	50.5	26	25	FDK:083G2179
33.7	50.5	31.3	25	FDK:083G2190
38	50.5	35.6	40	FDK:083G2191
40	50.5	38	40	FDK:083G2181
51	64	48.6	50	FDK:083G2192
63.5	77.5	60.3	65	FDK:083G2193
76.1	91	72.9	80	FDK:083G2194
101.6	119	97.6	100	FDK:083G2195
SMS 3016				
Adapter		Sensor		
DN (mm)	D _o (mm)	D _i (mm)	DN (mm)	
10	34	10	10	FDK:083G2186
15	34	16	15	FDK:083G2187
25	50.5	22.6	25	FDK:083G2189
33.7	50.5	31.3	25	FDK:083G2190
38	50.5	35.6	40	FDK:083G2191
51	64	48.6	50	FDK:083G2192
63.5	77.5	60.3	65	FDK:083G2193
76.1	91	72.9	80	FDK:083G2194
101.6	119	97.6	100	FDK:083G2195
BS 4825-3				
Adapter		Sensor		
DN (mm)	D _o (mm)	D _i (mm)	DN (mm)	
25	50.5	22.6	25	FDK:083G2189
38	50.5	35.6	40	FDK:083G2191
51	64	48.6	50	FDK:083G2192
63.5	77.5	60.3	65	FDK:083G2193
76.1	91	72.9	80	FDK:083G2194
101.6	119	97.6	100	FDK:083G2195

Accessories				Order No.
Clamp-type connection fittings for MAGFLO MAG 1100 Food				
Sanitary pipe fittings for Clamp types				
Each of the following accessory order nos. comprises:				
2 off fittings				
2 off clamps (to join flow sensor and fitting)				
2 off EPDM gaskets				
Tri-Clamp®				
Adapter		Sensor		
DN (mm)	D _o (mm)	D _i (mm)	DN (mm)	
10	34	10	10	FDK:083G2286
15	34	16	15	FDK:083G2287
25	50.5	22.6	25	FDK:083G2289
38	50.5	35.6	40	FDK:083G2291
51	64	48.6	50	FDK:083G2292
63.5	77.5	60.3	65	FDK:083G2293
76.1	91	72.9	80	FDK:083G2294
101.6	119	97.6	100	FDK:083G2295
Tri-Clamp® is a registered trademark of Ladish Co.				
D _o : outer diameter				
D _i : inner diameter				

SITRANS F flowmeters

SITRANS F M

MAGFLO MAG 1100 Food

Accessories

Order No.

Threaded type connection fittings for MAG-FLO MAG 1100 Food

Sanitary pipe fittings for Threaded types

Each of the following accessory order nos. comprises:

- 2 off fittings
- 2 off clamps (to join flow sensor and fitting)
- 2 off EPDM gaskets

DIN 11851

Adapter			Sensor	
DN (mm)	D _o (mm)	D _i (mm)	DN (mm)	
10	10	10	10	FDK:083G2156
15	15	15	15	FDK:083G2157
20	20	20	15	FDK:083G2158
25	25	25	25	FDK:083G2159
32	32	32	25	FDK:083G2160
40	40	40	40	FDK:083G2161
50	50	50	50	FDK:083G2162
65	65	65	65	FDK:083G2163
80	80	80	80	FDK:083G2164
100	100	100	100	FDK:083G2165

ISO 2853

Adapter			Sensor	
DN (mm)	D _o (mm)	D _i (mm)	DN (mm)	
25	37	22.6	25	FDK:083G2149
38	51	35.6	40	FDK:083G2151
51	64	48.6	50	FDK:083G2152
63.5	78	60.3	65	FDK:083G2153
76.1	91	72.9	80	FDK:083G2154
101.6	118	97.6	100	FDK:083G2155

SS 3351

Adapter			Sensor	
DN (mm)	D _o (mm)	D _i (mm)	DN (mm)	
25	37	22.6	25	FDK:083G2149
38	51	35.6	40	FDK:083G2151
51	64	48.6	50	FDK:083G2152
63.5	78	60.3	65	FDK:083G2153
76.1	91	72.9	80	FDK:083G2154
101.6	118	97.6	100	FDK:083G2155

BS 4825-4

Adapter			Sensor	
DN (mm)	D _o (mm)	D _i (mm)	DN (mm)	
25	37	22.6	25	FDK:083G2149
38	51	35.6	40	FDK:083G2151
51	64	48.6	50	FDK:083G2152
63.5	78	60.3	65	FDK:083G2153
76.1	91	72.9	80	FDK:083G2154
101.6	126	97.6	100	FDK:083G2145

SMS 1145

Adapter			Sensor	
DN (mm)	D _o (mm)	D _i (mm)	DN (mm)	
25	40	22.6	25	FDK:083G2139
32	48	29.6	25	FDK:083G2140
38	60	35.6	40	FDK:083G2141
51	70	48.6	50	FDK:083G2142
63.5	85	60.3	65	FDK:083G2143
76	98	72	65	FDK:083G2144

D_o: outer diameter
D_i: inner diameter

Spare parts for MAGFLO MAG 1100 Food

Order No.

Gaskets

(2 pcs., between flow sensor and adapter)

Rubber: EPDM

- DN 10
- DN 15
- DN 25
- DN 40

FDK:083G2206
FDK:083G2207
FDK:083G2209
FDK:083G2211

- DN 50
- DN 65
- DN 80
- DN 100

FDK:083G2212
FDK:083G2213
FDK:083G2214
FDK:083G2215

Rubber: NBR

- DN 10
- DN 15
- DN 25
- DN 40
- DN 50
- DN 65
- DN 80
- DN 100

FDK:083G2216
FDK:083G2217
FDK:083G2219
FDK:083G2221
FDK:083G2222
FDK:083G2223
FDK:083G2224
FDK:083G2225