

軟密封對夾蝶閥

SOFT SEATED WAFER TYPE BUTTERFLY VALVE

Material of the valve may be carbon steel or stainless steel. Operation temperature may be as high as 80~120 °C. It is suitable for the application of shut-off or throttling in water or gas line of the food, pharmaceutical, chemical, petrochemical, power, textile, pulp and paper, steel industries.

特性 CHARACTERISTIC

1. Compact and durable design for fast operation.
2. Low torque.
3. Simple maintenance.
4. All sealing parts are exchangeable, bi-direction and low leakage.
5. Sealing material are selected to sustain long term operation, low to medium corrosion.

採用標準 DESIGN CODE

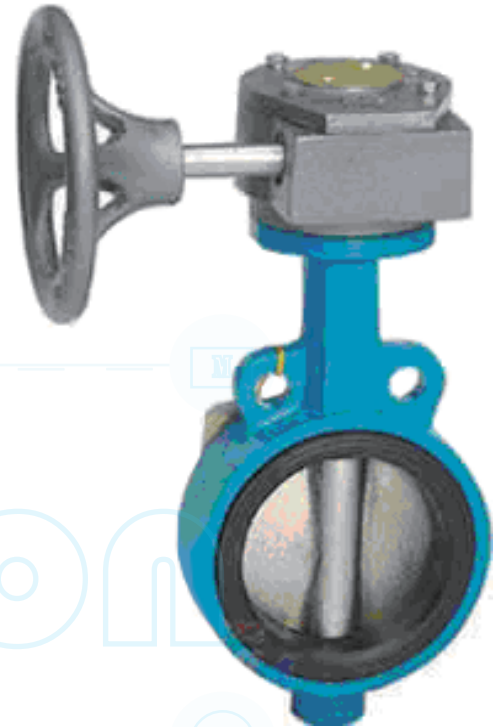
Design:	ANSI B16.34
Flange:	ANSI B16.5
Face to face dimension:	ASME/ANSI B16.10
Pressure test:	API598-1986

主要技術參數 MAIN TECHNICAL PARAMETER

公稱通徑 SIZE	DN (mm)	50~2000		
公稱壓力 PRESSURE	PN (Bar)	6	10	16
試驗壓力 TESTS OF PRESSURE	強度試驗 STRENGTH TEST	9	15	24
	密封試驗 SEELING TEST	6.6	11	17.6
	氣密封試驗 LEAKAGE TEST	6	6	6
適用流體 APPLICABLE FLOW	水、蒸氣、紙漿、油品、酸類腐蝕性等 WATER, STEAM, PULP STOCK, ACIDIC CORROSIVE FLUID			
驅動方式 ACTING TYPE	手動把手、蝸桿手輪、氣動、電動 HANDLE SET, HAND WHEEL, PNEUMATIC OR MOTOR DRIVEN ACTUATOR			

零件與材質 PARTS AND MATERIAL

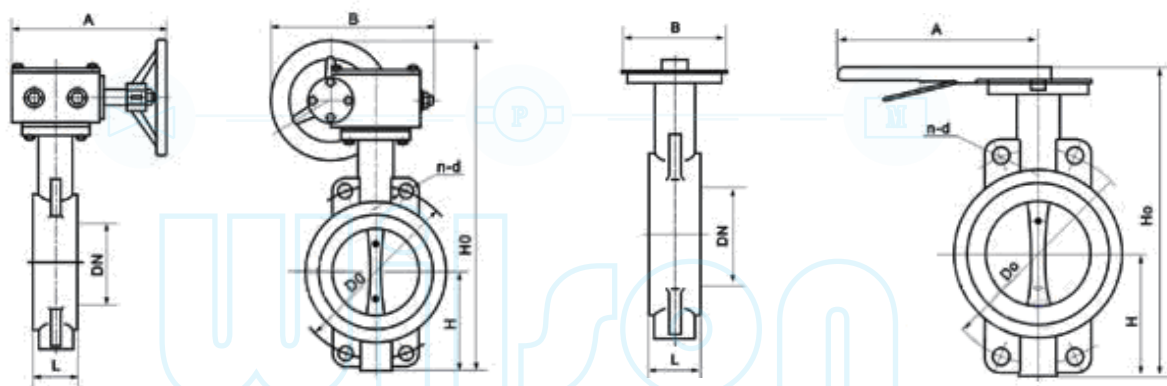
零件名稱	材質		
閥體 (Body)	WCB	SUS304	SUS316
蝶板 (Disc)	SUS304	SUS304	SUS316
閥杆 (Stem)	SUS304	SUS304	SUS316
填料 (Gland Packing)	O型圈、Graphite (柔性石墨)		
密封圈 (Seat)	各種橡膠、Teflon		



密封材料和適用溫度 SEAT MATERIAL AND ADOPTED TEMPERATURE

材料品種	氯丁橡膠	丁晴橡膠	乙丙橡膠	聚四氟乙烯	矽橡膠	氟橡膠	天然橡膠	尼龍
英語簡稱	CR	NBR	EPDM	PTFE	SI	VITON	NR	PA
型號代號	X或J	XA或JA	XB或JB	F或XC、JC	XD或JD	XE或JE	X1	N
最高耐溫	82℃	93℃	150℃	232℃	250℃	204℃	85℃	93℃
最低耐溫	-40℃	-40℃	-40℃	-268℃	-70℃	-23℃	-20℃	-73℃
適用工作溫度	0~+80℃	-20~+82℃	-40~+125℃	-30~+150℃	-70~+150℃	-23~+150℃	-20~+85℃	-30~+93℃

外形尺寸 DIMENSION TABLE



外形尺寸 DIMENSION TABLE

公稱通徑 SIZE	結構長度(標準值) LENGTH OF STRUCTURE (STANDARD) (mm)	外形尺寸(參考值) DIMENSION (REFERENCE) (mm)				連接尺寸(標準值) CONNECTION DIMENSION (STANDARD) (mm)					
		H	HO	A	B	PN6		PN10		PN16	
DN	L					DO	n-d	DO	n-d	DO	n-d
50	43	63	235	270	65	110	4-14	125	4-18	125	4-18
65	46	70	250	270	65	130	4-14	145	4-18	145	4-18
80	46	83	275	270	65	150	4-18	160	8-18	160	8-18
100	52	105	316	270	65	170	4-18	180	8-18	180	8-18
125	56	115	340	310	65	200	8-18	210	8-18	210	8-18
150	56	137	376	310	65	225	8-18	240	8-22	240	8-22