

Eccentric V-Port Ball Valve

Model
VARBO Series

Applicable standards:

- Shell wall thickness acc. ANSI B16.34 class 150
- Face to face acc. ANSI B16.10 class 150
- End flange dimensions ANSI B16.5 class 150
- Inspection and test acc. API598

Feature:

- One piece casted body
- Blow out proof stem
- Trunion mounted ball
- Live loading packing system
- Built-in ISO 5211 mounting pad
- Eccentric disc
- Low seating torque
- Leak tight shut-off
- Metal to metal seating surface with Stellite hardness
- Auto adjusts seal to compensate for wear
- Conical seating surface
- Easy to repair and replace
- Cost saving maintenance

Media applications:

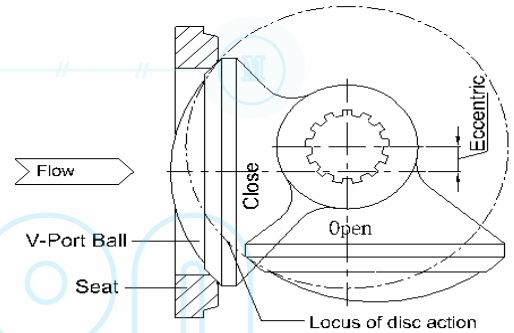
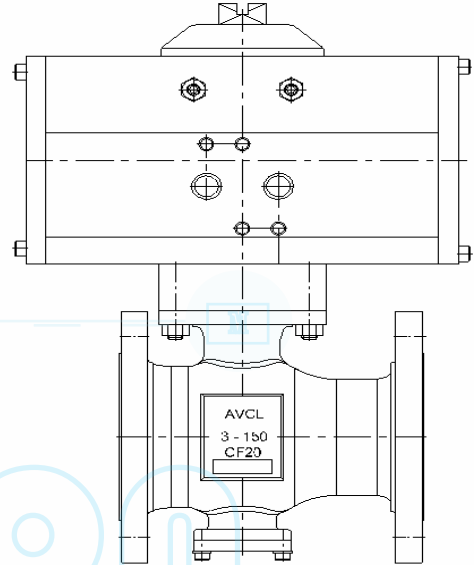
Slurry, Gummy, Fibrous, Powders, Steam, Fly ash, etc.

TEST PRESSURE ACC. API 598

150LB	32 KG/CM2 (Hydr)	23 KG/CM2 (Hydr)	6 KG/CM2 (Air)
RATING	SHELL	SEAT	SEAT

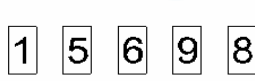
PRESSURE-TEMPERATURE RATING

°C	-29 ~ +38	50	100	150	200	250
p(kg/cm2)	19.6	19.2	17.7	15.8	14.0	12.1



Details 90° quarter-turn locus of eccentric-disc action

Ordering information:

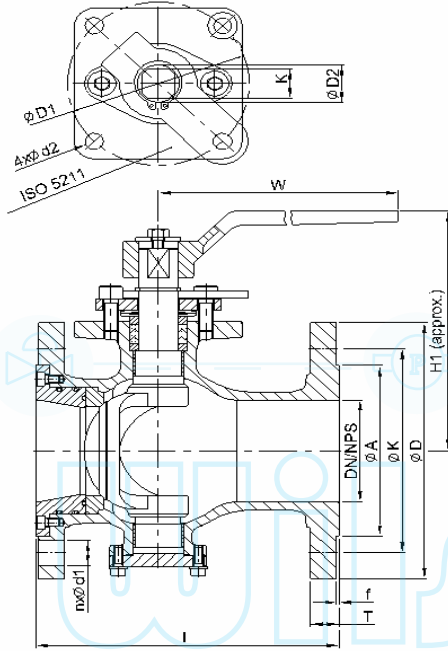


symbol	Rating
10	JIS 10K
15	ANSI 150LB

Symbol	Body
3	A216-WCB
5	A351 CF8M
6	A276-CA15

Symbol	Actuation
96	Lever
98	Pneu. Actuator

Dimension-Lever oper.

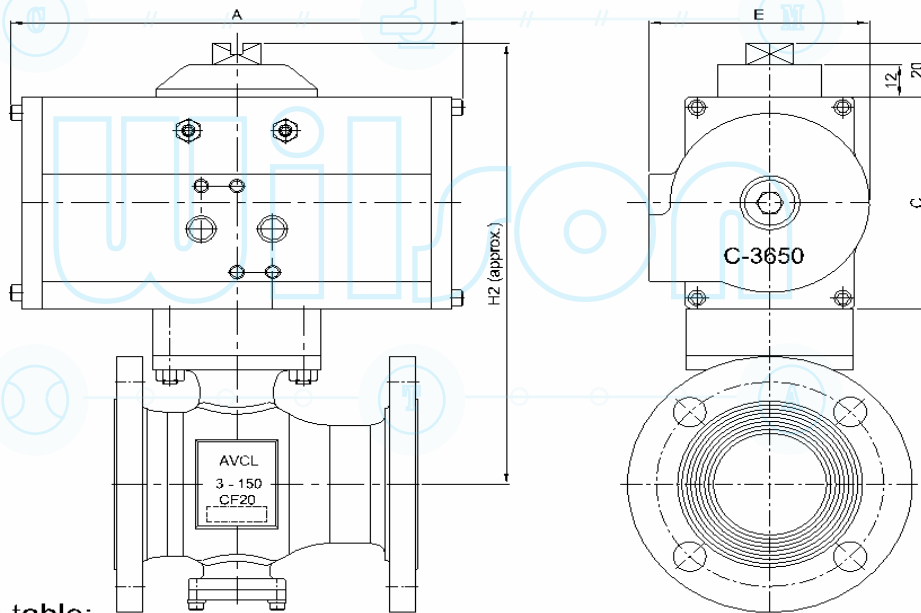


Dimension table:

Unit : mm

Size	DN	50	65	80	100
	NPS	2"	2-1/2"	3"	4"
L		177.8	190.5	203.2	228.6
H1		161	167	173	224
W		250	250	250	350
$\phi D1$		70	102	102	125
$\phi D2$		26	26	26	40
$\phi d2$		9	11	11	13
$\square K$		22	22	22	27
ISO 5211		F07	F10	F10	F12
ANSI 150LB	ϕD	152.4	177.8	190.5	228.6
	ϕK	120.5	139.5	152.5	190.5
	ϕA	92	105	127	157
	$n \times \phi d1$	4x19	4x19	4x19	8x19
	T	15.8	17.5	19.1	23.9
JIS 10K	f	1.6	1.6	1.6	1.6
	ϕD	155	175	185	210
	ϕK	120	140	150	175
	ϕA	96	116	126	151
	$n \times \phi d1$	4x19	4x19	8x19	8x19
T	16	18	18	18	
f	2	2	2	2	

Dimension-Actuator

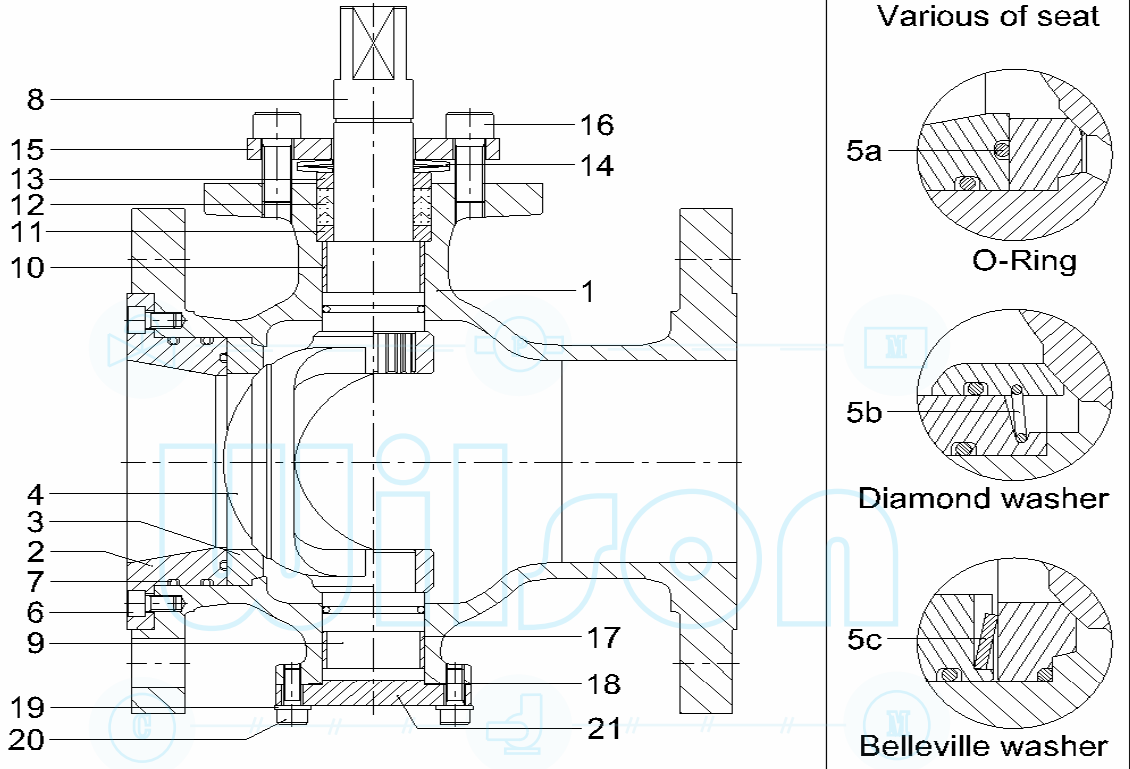


Dimension table:

Unit : mm Torque = Nm

Size		H2	A	C	E	Actuator Model	Torque - actuator of DA(kg/cm2)					
DN	NPS						3.0	4.0	5.0	5.5	6.0	7.0
50	2"	252	183	121	119	C-1000	61	82	102	113	123	143
65	2-1/2"	258	183	121	119	C-1000	61	82	102	113	123	143
80	3"	283	260	141	141	C-2250	138	184	230	253	277	323
100	4"	395	304	176	185	C-3650	224	299	374	411	449	523

Section View



Material list:

Item	Description	Material (ASTM)		
		A216-WCB	A351-CF8M	A276-CA15
1	Body	A216-WCB	A351-CF8M	A276-CA15
2	Flange cap	A216-WCB	A351-CF8M	A276-CA15
3	Seat	17-4 PH+Stellite No.6	17-4 PH+Stellite No.6	A276-CA15+Stellite No.6
4	V-port ball	A743-CF20+Stellite No. 21	A743-CF20+Stellite No. 21	A276-CA15+Stellite No. 21
5a	O-ring	Viton	Viton	Viton
5b	Diamond washer	316SS	316 SS	316 SS
5c	Belleville washer	17-4 PH	17-4 PH	17-4 PH
6	Flange cap bolts	A193-B8	A193-B8	A193-B8
7	O-ring	Viton	Viton	Viton
8	Upper stem	A276-316	A276-316	A276-316
9	Lower stem	A276-316	A276-316	A276-316
10	Ball support bearing	Carbon filled PTFE	Carbon filled PTFE	Carbon filled PTFE
11	Thrust washer	A276-316	A276-316	A276-316
12	V-ring stem packing	PTFE	PTFE	PTFE
13	Gland	A276-316	A276-316	A276-316
14	Belleville washer	301 SS	301 SS	301 SS
15	Gland flange	A351-CF8	A351-CF8	A351-CF8
16	Gland bolts	A193-B8	A193-B8	A193-B8
17	Ball support bearing	Carbon filled PTFE	Carbon filled PTFE	Carbon filled PTFE
18	Bottom flange gasket	PTFE	PTFE	PTFE
19	Spring washer	A240-304	A240-304	A240-304
20	Hex. socket screws	A193-B8	A193-B8	A193-B8
21	Bottom flange	A216-WCB	Stainless steel	Stainless steel



Wilson



Wilson

