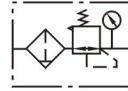


FILTER AND REGULATOR

GFR SERIES



Symbol



Specification

Model	GFR200 -06	GFR200 -08	GFR300 -08	GFR300 -10	GFR300 -15	GFR400 -10	GFR400 -15
Fluid	Air						
Port size	1/8"	1/4"	1/4"	3/8"	1/2"	3/8"	1/2"
Filtering grade	40 μ or 5 μ						
Pressure range	1.5~9.0bar (0.15~0.9MPa)(21~128Psi)						
Max pressure	10.0bar (1.0MPa)(142Psi)						
Proof pressure	15.0bar (1.5 MPa)(213Psi)						
Temperature	5~60℃						
Drain bowl capacity	10CC	40CC		80CC			
Weigh	216g	500g		500g		1026g	

Ordering code

GFR200 — **08** — **M** — **□** — **□** — **F** — **1** — **W** — **G**

Model **Port size** **Pressure gauge** **Scale** **Thread**

GFR200: GFR200 series 06: 1/8" Blank: Pressure gauge 1: MPa Blank: PT
 filter regulator unit 08: 1/4" N: No pressure gauge 2: Psi G: BSPP
 GFR300: GFR300 series 08: 1/4" 3: bar T: NPT
 filter regulator unit 10: 3/8"
 15: 1/2"
 GFR400: GFR400 series 10: 3/8"
 filter regulator unit 15: 1/2"

Accessories **Pressure gauge shape** **Filtering grade**

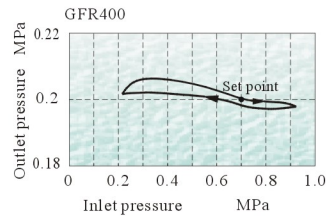
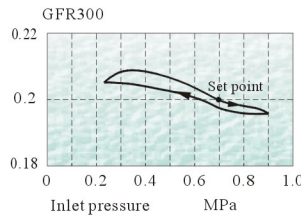
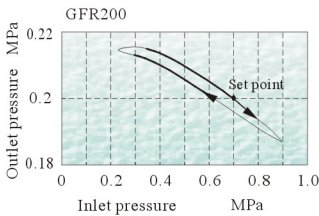
Blank: Bracket F: Square Blank: 40 μ
 J: No Bracket C: Round W: 5 μ

Drain type

Blank: Semi-Auto drain
 M : Manual drain *: GFR200 series auto drain is not available
 A : Auto drain*

Pressure and flow chart

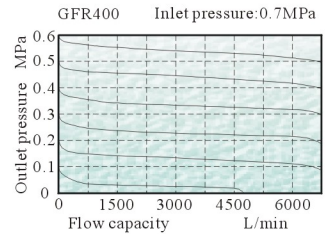
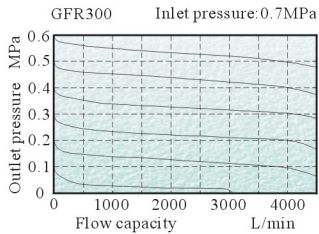
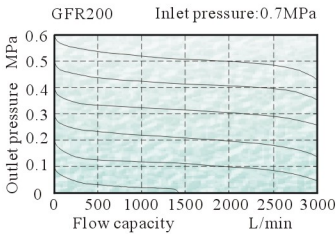
Pressure chart



FILTER AND REGULATOR

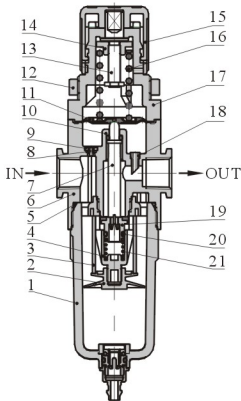
GFR SERIES

Flow chart



Inner structure

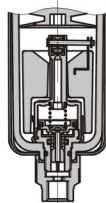
GFR200



Semi-Auto drain

GFR300

GFR400



Auto drain



Semi-Auto drain

No.	Item	No.	Item
1	Drain bowl	12	Fixed ring
2	Umbrella baffle	13	Adjusting spindle
3	Filter element	14	Regulator nut
4	Air guider	15	Pressure knob
5	O-ring	16	Pressure spring
6	FR body	17	Adjusting seat
7	Spool	18	Feed back tube
8	O-ring	19	Plug
9	Plug	20	O-ring
10	O-ring	21	Spring
11	Pressure packing		

O-ring list

Item/Model	GFR200	GFR300	GFR400
Drain bowl O-ring	GOR150315N75	GPS39N75	GOR24053N75
Spool O-ring	GPS4N75	GPS4N75	GPS5N75
Cover O-ring	GOR180025N75	GOR180025N75	GOR180025N75
Pressure pull O-ring	GPS6N75	GPP10N75	GOR20011N75
Semiauto drain O-ring 1	GOR15006N75	GOR15006N75	GOR15009N75
Semiauto drain O-ring 2	GOR15007N75	GOR15009N75	GPAS014N75
Manual drain post O-ring	-	GOR110028N75	GPS5N75
Manual drain seat O-ring	-	GOR15009N75	GPAS014N75

Material of major parts

Item/Model	GFR200	GFR300	GFR400
FR body	Aluminum alloy		
Umbrella baffle	POM		
Air guider	POM		
Filter element	40 μ : Tin copper ; 5 μ : Fiber		
Drain bowl	PC		
Leak post	POM		
Pressure knob	POM		
Adjusting seat	POM		
Adjusting spindle	HPB59-1		
Diaphragm	SUS304 covered with rubber		
Pressure spring	Stainless steel		
Spring	Stainless steel		
Bowl guard	-	SPCC	

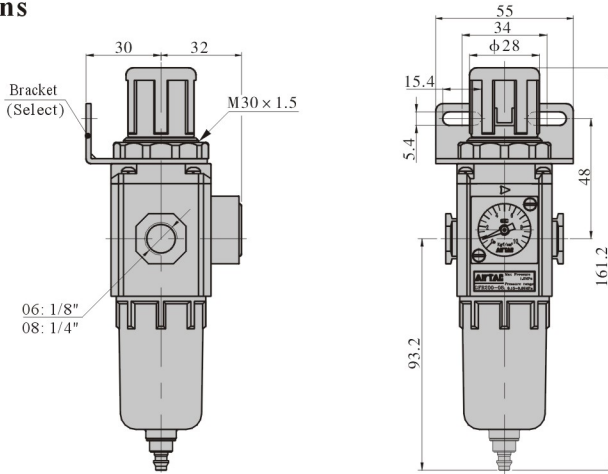
FILTER AND REGULATOR

GFR SERIES



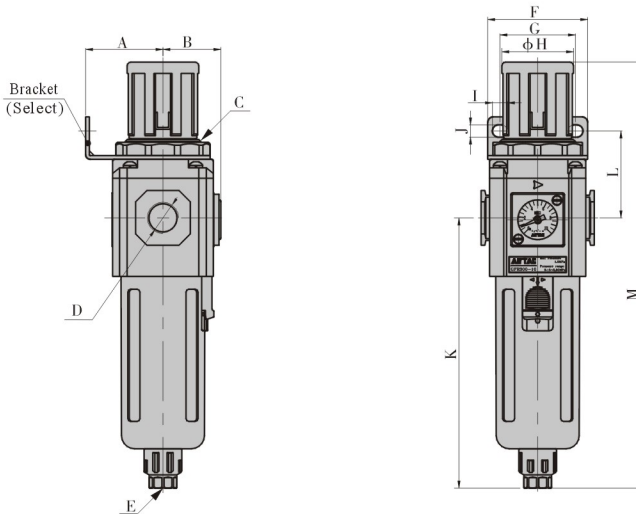
■ Dimensions

GFR200



GFR300

GFR400



Model/Item	A	B	C	D	E	F	G	H	I	J	K	L	M
GFR300-08	41	31	M40 × 1.5	1/4 "	BSPP1/8	53	40	38	8	6.5	143	46	225.6
GFR300-10	41	31	M40 × 1.5	3/8 "	BSPP1/8	53	40	38	8	6.5	143	46	225.6
GFR300-15	41	31	M40 × 1.5	1/2 "	BSPP1/8	53	40	38	8	6.5	143	46	225.6
GFR400-10	50	40	M55 × 2.0	3/8 "	BSPP1/4	72	55	52	11	8.5	165.5	53	269.5
GFR400-15	50	40	M55 × 2.0	1/2 "	BSPP1/4	72	55	52	11	8.5	165.5	53	269.5

