

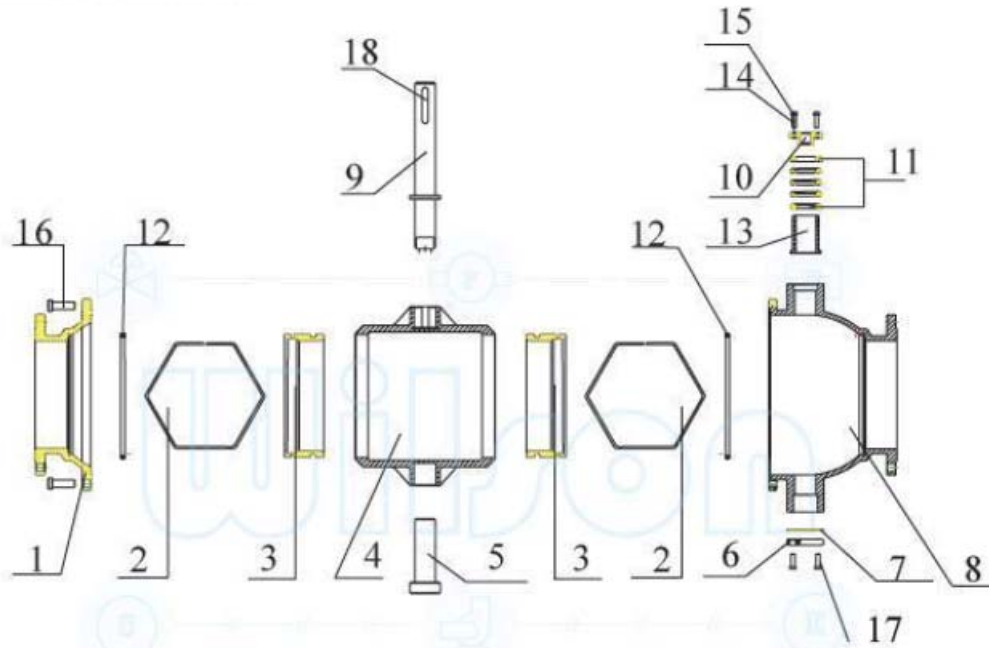
## BALL VALVE (SINGLE & DOUBLE ACTUATING) 1''-16'' SERIES LP13-100 METAL TO METAL SEATED FLANGE TYPE

### FEATURES:

- Nominal pressure rating:  
PN16,25,40
  - Nominal Size:  
DN 15,25,40,50,65,80,100,150,  
200,250,300,350,400.
  - Working Temperature:  
Hard Seat:-20°C ~+250°C  
Soft Seat:-20°C ~+150°C
  - Air Supply:-20°C ~+150°C
  - Leakage:  
Hard Seat: Class IV  
Soft Seat: Class V
  - End Connection:  
Flange Type,ANSI,JIS or DIN Drill
  - Material:  
Valve Body,  
(1)SUS 304(ZG0Cr18Ni9)  
(2)SUS 316(ZG0Cr18Ni12Mo2Ti)  
(3)SUS 316L(ZG00Cr17Ni14Mo2)
  - Ball:  
(1)SUS 316  
(2)SUS 316L
  - Optional Item:  
Solenoid Valve:24VDC, 110VAC, or  
220VAC  
I/P:0~10 mA,4~20mA  
P/P:20~100 Kpa
- Test Pressure:
- Shell by Water:450 PSI (32 Kg/cm<sup>2</sup>)
  - Seat by Water: 300 PSI (21 Kg/ cm<sup>2</sup>)
  - Seat by Air: 80PSI ( 6 Kg/ cm<sup>2</sup>)



## EXPLODED VALVE:



## COMPONENTS LIST:

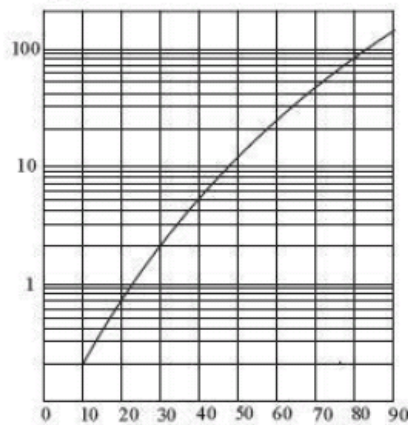
NO	Name	quantity	material	NO	Name	quantity	material
1	body	1	ZG0Cr18Ni9 or CF8, CF8M	10	gland	1	ZG1Cr18Ni9Ti or CF8
2	spring	2	0Cr17Ni12MO2	11	packing	Group	PTFE
3	Hard Sealing	2	1Cr18Ni9Ti or 304, 316	12	O ring	2	MFVQ1402
4	ball	1	ZG1Cr18Ni9 or CF8, CF8M	13	bearing	1	PTFE
5	stem	1	1Cr18Ni9Ti or 304, 316	14	stud	2	304
6	gland	1	1Cr18Ni9Ti or 304, 316	15	net	2	304
7	O ring	1	MFVQ1402	16	stud		304
8	body	1	ZG0Cr18Ni9 or CF8, CF8M	17	screw	2-4	304
9	stem	1	1Cr18Ni9Ti or 304, 316	18	Flat key	1	304

## O-TYPE (HARD · SOFT SEAL) BALL VALVE MAXIMUM ALLOWING LEAKAGE:

NO	Nominal size DN (mm)	O-type ball valve	
		Hard seal(ml/min)	Soft seal(ml/min)
1	15	1.5	0.2
2	20	2.0	0.25
3	25	2.3	0.30
4	32	3.5	0.40
5	40	5.3	0.50
6	50	8.4	0.60
7	65	12.6	0.80
8	80	15.9	1.00
9	100	29.3	1.20
10	125	43.6	1.50
11	150	68.5	1.80
12	200	109.0	2.00
13	250	155.8	3.00
14	300	236.8	3.60
15	350	389.5	4.20
16	400	544.4	4.80
17	450	701.2	5.20
18	500	805.9	5.60

### FLOW CHARACTERISTIC:

The flow characteristic of O-type fixed cut-off ball valve is rapid open characteristic

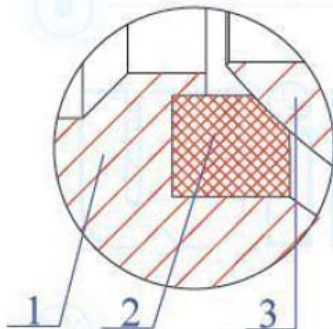


## ACTUATOR SELECTION:

Type of pneumatic actuator	(O-type valve) DN
DG50-40	below 25
DG80-42	32-40
	50-65
DG100-52	80
	100
DG125-60	125
	150
DG125-90	200
DG160-94	250-300
DG200-94	350
DG200-120	400
DG260-120	450-500

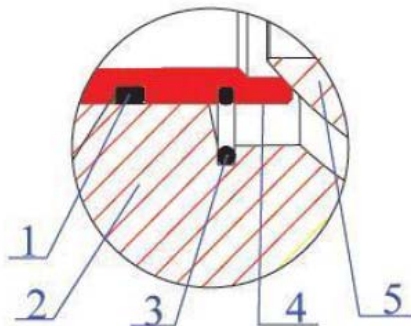
## SEAL STRUCTURE OF O-TYPE BALL VALVE:

- Soft sealing structure



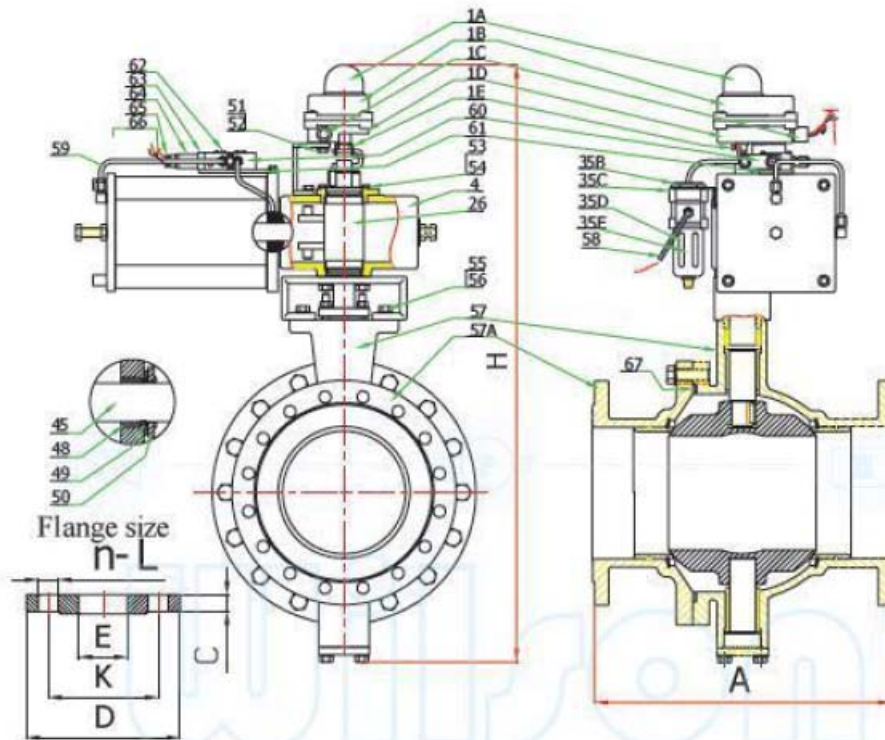
NO	Name	Work temperature
1	Body	-20°C ~150 °C
2	Soft sealing	
3	Ball	

- Hard sealing structure

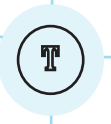
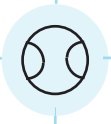
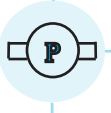


NO	Name	Work temperature
1	O-ring	-20°C ~150 °C
2	Body	
3	Spring	
4	Hard sealing	
5	Ball	

## OUTLINE SHOW OF O-TYPE BALL VALVE:



- |                                     |                                |
|-------------------------------------|--------------------------------|
| 1A. Position of valve show cover    | 1B. Switch box cap             |
| 1C. Switch box connection joint     | 1D. core end plate             |
| 1E. Switch box retract shift        | 4. Box                         |
| 26. Axle                            | 35B. Air filter nut            |
| 35C. Air filter framer              | 5D. Air filter core            |
| 35E. Air filter over coat           | 45. Piston rod                 |
| 48. Piston rod gallow sheath        | 49. Piston rod seal ring       |
| 50. Cylinder gallow lid circle nut  | 51. Switch box and bolt        |
| 52. Spring washer                   | 53. Box lid screw              |
| 54. Washer                          | 55. Frame bolt                 |
| 56. Frame bolt spring washer        | 57. Body with flange           |
| 57A. Body cap                       | 58. Into air joint             |
| 59. Air pipe                        | 60. Solenoid valve             |
| 61. Solenoid valve fix end plate    | 62. Solenoid valve fix screw   |
| 63. Solenoid valve guilder          | 64. Solenoid valve coil        |
| 65. Solenoid valve connection joint | 66. Solenoid valve signal line |



偉群國際有限公司  
新竹縣竹北市國盛街 271 號  
電話：03-555-6551 · 傳真：03-555-0352  
<http://www.wilson-co.com.tw>

Wilson-International Co.  
No.271, Guosheng St., 302-44 Zhubei City,  
Hsin Chu County, Taiwan, ROC.

WE SERVE. WE CARE. WHAT YOU NEED. EVERY WHERE AND EVERY TIME.