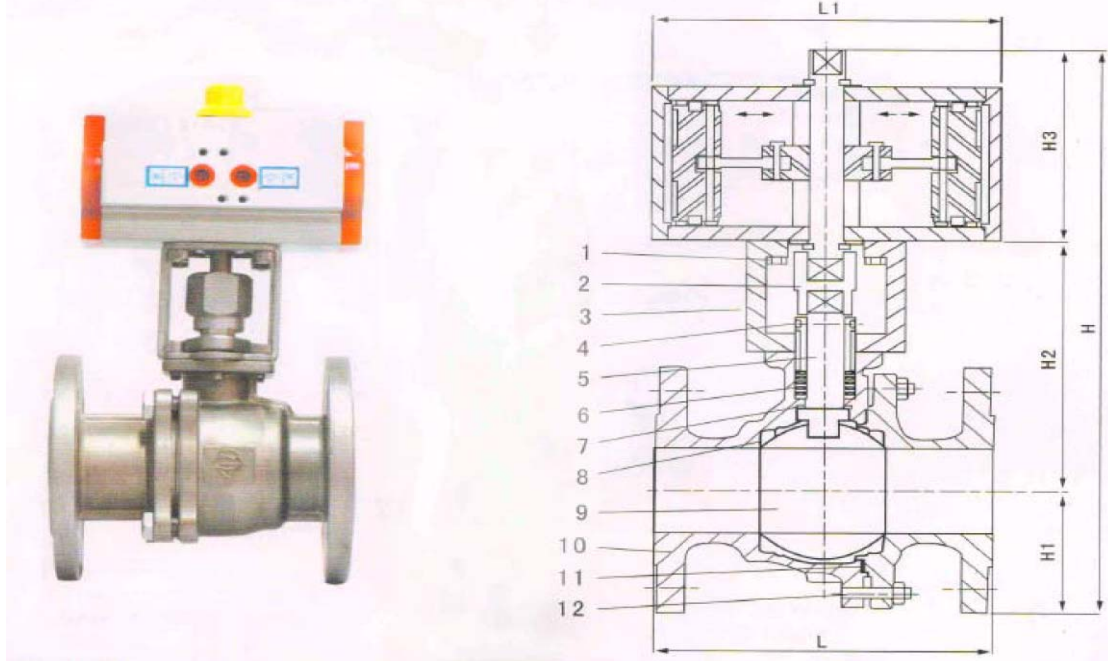


# 複動式法蘭口球塞閥



## CYLINDER ACTUATED BALL VALVE ACTUATOR:STR DOUBLE ACTING



### SPECIFICATION

OPERATING PRESSURE:4~6 kg/cm<sup>2</sup>

END CONNECTION:FLANGED END

RATING:JIS 10K,20K ANSI 150#,300#

### ACCESSORY

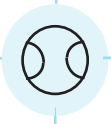
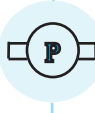
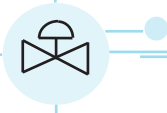
SOLENOID VALVE,LIMIT SWITCH

AIR SET & LUBRICATOR

HAND WHEEL

DIMENSION		L	L1	H	H1	H2	H3
SIZE (MM)	SIZE (inch)						
15	1/2"	108	109	224	48	97	79
20	3/4"	117	109	228	50	99	79
25	1"	127	131	257	62	105	90
32	1 1/4"	140	165	276	62	105	109
38	1 1/2"	165	165	324	68	147	109
50	2"	178	165	336	77	150	109
65	2 1/2"	190	200	387	86	178	128
80	3"	203	200	396	92	181	128
100	4"	230	249	452	105	204	143
125	5"	300	292	512	132	207	173
150	6"	340	328	588	139	247	202

NO ITEM	NAME	MATERIAL	NO RE	NO ITEM	NAME	MATERIAL	NO RE
1	BOLT	SUS304	4	7	PACKING	TEFLON	1
2	ADAPTOR	SCS13	1	8	SEAT RING	TEFLON	2
3	YOKE	SCS13	1	9	BALL	SCS13	1
4	GLAND	BC-6	1	10	BODY	SCS13	1
5	STEM	SUS304	1	11	GASKET	TEFLON	1
6	PACKING	TEFLON	4	12	BOLT	SUS304	4



偉群國際有限公司  
新竹縣竹北市國盛街271號  
電話：03-555-6551 · 傳真：03-555-0352  
<http://www.wilson-co.com.tw>

Wilson-International Co.  
No.271, Guosheng St., 302-44 Zhubei City,  
Hsin Chu County, Taiwan, R.O.C.

WE SERVE. WE CARE. WHAT YOU NEED. EVERY WHERE AND EVERY TIME.